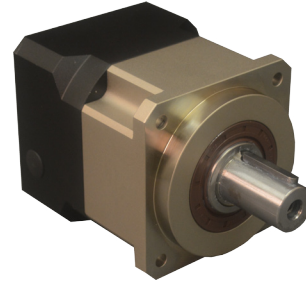


FEATURES

- Backlash as Low as 1 arc-min
- Gear Ratios from 3:1 to 100:1
- Long Design Life, Over 20,000 hrs
- Up to 97 Percent Efficiency
- Max Input Speeds up to 6,000 RPM
- Lifetime Lubrication
- Low Noise Helical Gears



DESCRIPTION

The GBPS-180x Series is an In-Line Planetary Helical Gearbox line that offers great prices without sacrificing precision and quality. The GBPS-180x Series is designed for motion control applications requiring moderate backlash and stiffness. Features include backlash as low as 1 arcminute, 22 gear ratios for rated torque up to 9,294 in-lbs (148,704oz-in), (model dependent), a precision clamping system and lifetime lubrication. Please verify all dimensions when matching a gearbox to a specific motor, as critical dimensions will vary among series and manufacturers.

SPECIFICATIONS

Model #	Gear Ratio (X:1)	Rated Output Torque (in-lb)	Max Output Torque (in-lb)	Rated Input Speed (RPM)	Max Input Speed (RPM)	Stages	Backlash (arcmin)	L2 Length (mm)	Weight (lbs)
GBPS-1801-NM-003-XXXXX-XXX	3	8408	15134	3000	6000	1	1	94	60.0
GBPS-1801-NM-004-XXXXX-XXX	4	8851	15932	3000	6000	1	1	94	60.0
GBPS-1801-NM-005-XXXXX-XXX	5	9294	16729	3000	6000	1	1	94	60.0
GBPS-1801-NM-006-XXXXX-XXX	6	8851	15932	3000	6000	1	1	94	60.0
GBPS-1801-NM-007-XXXXX-XXX	7	8497	15295	3000	6000	1	1	94	60.0
GBPS-1801-NM-008-XXXXX-XXX	8	7966	14339	3000	6000	1	1	94	60.0
GBPS-1801-NM-009-XXXXX-XXX	9	7081	12746	3000	6000	1	1	94	60.0
GBPS-1801-NM-010-XXXXX-XXX	10	7081	12746	3000	6000	1	1	94	60.0
GBPS-1802-NM-012-XXXXX-XXX	12	7523	13541	3000	6000	2	3	166	75.0
GBPS-1802-NM-015-XXXXX-XXX	15	7523	13541	3000	6000	2	3	166	75.0
GBPS-1802-NM-020-XXXXX-XXX	20	8408	15134	3000	6000	2	3	166	75.0
GBPS-1802-NM-025-XXXXX-XXX	25	9294	16729	3000	6000	2	3	166	75.0
GBPS-1802-NM-030-XXXXX-XXX	30	9294	16729	3000	6000	2	3	166	75.0
GBPS-1802-NM-035-XXXXX-XXX	35	9294	16729	3000	6000	2	3	166	75.0
GBPS-1802-NM-040-XXXXX-XXX	40	9294	16729	3000	6000	2	3	166	75.0
GBPS-1802-NM-045-XXXXX-XXX	45	9294	16729	3000	6000	2	3	166	75.0
GBPS-1802-NM-050-XXXXX-XXX	50	9294	16729	3000	6000	2	3	166	75.0
GBPS-1802-NM-060-XXXXX-XXX	60	8851	15932	3000	6000	2	3	166	75.0
GBPS-1802-NM-070-XXXXX-XXX	70	8497	15295	3000	6000	2	3	166	75.0
GBPS-1802-NM-080-XXXXX-XXX	80	7966	14339	3000	6000	2	3	166	75.0
GBPS-1802-NM-090-XXXXX-XXX	90	7081	12746	3000	6000	2	3	166	75.0
GBPS-1802-NM-100-XXXXX-XXX	100	7081	12746	3000	6000	2	3	166	75.0

Part numbers are based on the specifications of the motor being matched to the gearbox.

-xxxxx denotes motor pilot, -xxx denotes input shaft diameter.

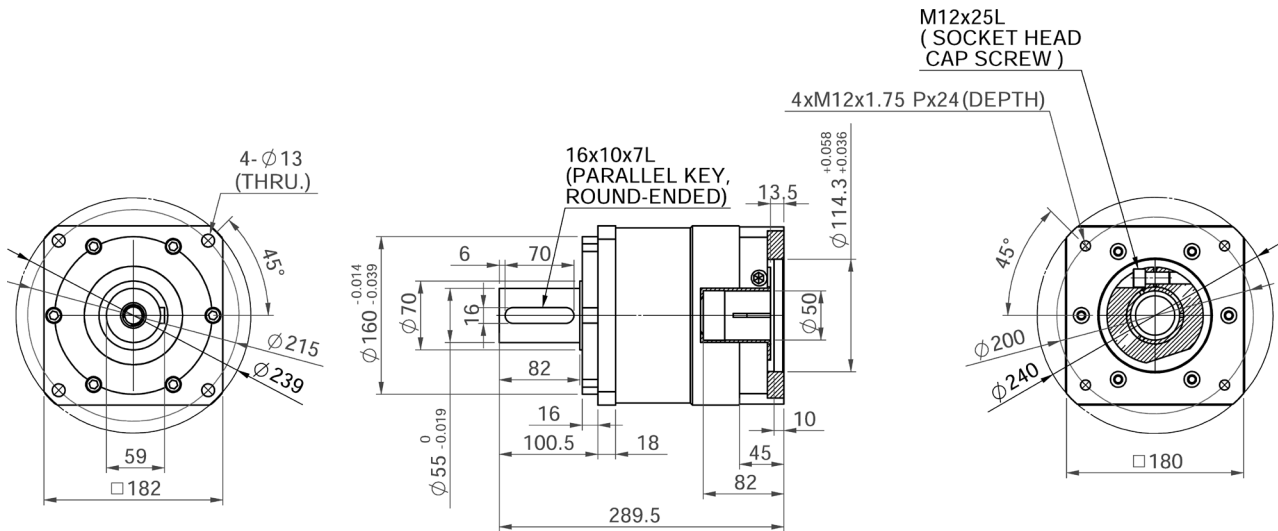
Refer to *Matching the Gearbox to Your Motor* on the second page for more information, or contact an Anaheim Automation Applications Engineer for assistance.

Matching the Gearbox to Your Motor

To ensure compatibility with the gearbox, it is important to consider that the motor specifications are within the listed ranges below. Motor Bolt Circle Diameter, Input Shaft Diameter, Input Shaft Length, Pilot Thickness, Pilot Diameter and Hole Diameter are required in order to match the motor with the appropriate gearbox, and will be used to determine the complete part number. Please see the Gearbox Mounting form downloadable from our website under Support -Technical Support - Installations for more information on required motor data.

Parameter	Range
Bolt Hole Circle Diameter	180mm
Input Shaft Diameter	50mm Max
Input Shaft Length	82mm Max
Pilot Thickness	13mm Max
Pilot Diameter	114.3mm Max
Hole Diameter	Any Size

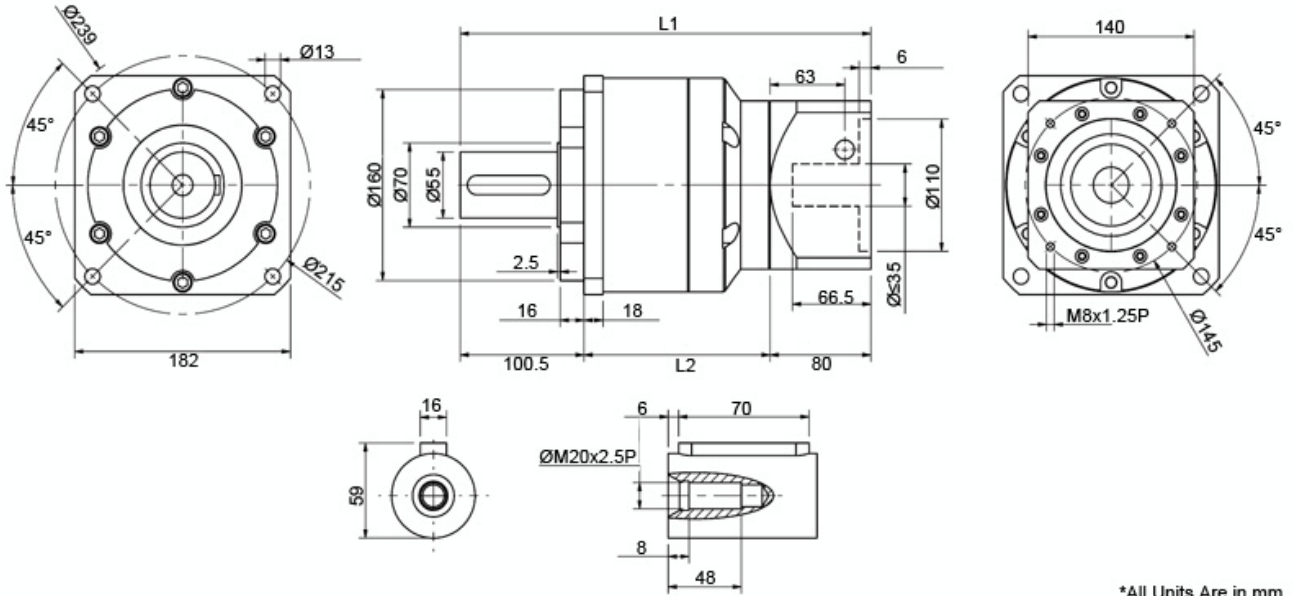
1 STAGE DIMENSIONS



Units in mm

ITEM	DESCRIPTION	MOTOR INTERFACE
		EM180-1378
D1	Input Shaft Diameter	35
L4	Max Shaft Length	79
L2	Stage Length	94 or 166
L1	Overall Length	94 or 166
D2	Pilot Diameter	114.3
L5	Pilot Depth	3.2
D3	Mounting Bolt Hole Circle	200
D4	Bolt Hole Size	13.5

Note: Gear Ratio 3 - 10



*All Units Are in mm

ITEM	DESCRIPTION	MOTOR INTERFACE EMJ80-748
D1	Input Shaft Diameter	19
L4	Max Shaft Length	47.8
L2	Stage Length	166
L1	Overall Length	361.5
D2	Pilot Diameter	70
L5	Pilot Depth	6
D3	Mounting Bolt Hole Circle	90
D4	Bolt Hole Size	M5x10

Note: Gear Ratio 12 - 100



Gearbox Application Sheet

Please return via fax or email: (714) 992-0471, applications@anaheimautomation.com

Name: _____ E-Mail: _____

Company: _____ Phone: _____

Address: _____ Fax: _____

City: _____ State: _____ Zip: _____

Current Quantity Requirements: _____

Estimated Annual Requirements: _____

Motor Specifications:

Units: mm in

Bolt Circle Diameter (D3): _____

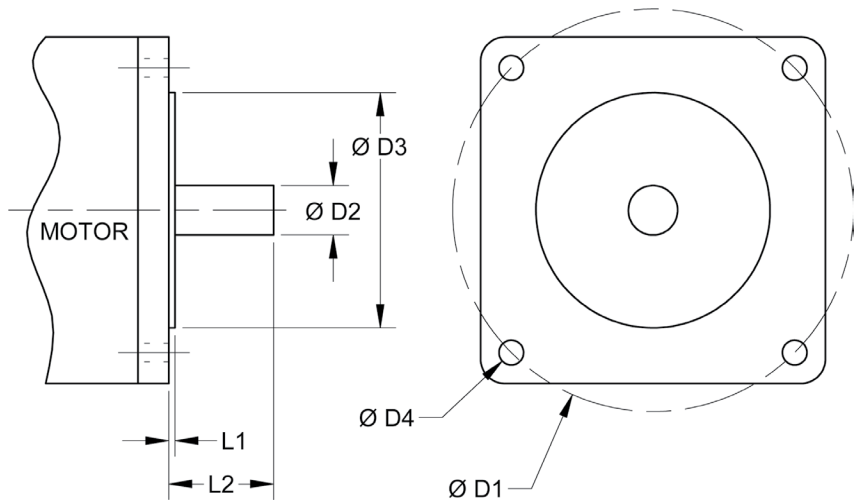
Shaft Diameter (D1): _____

Pilot Diameter (D2): _____

Hole Diameter (D4): _____

Pilot Thickness (L5): _____

Shaft Length (L4): _____



Gearbox Specifications:

Gearbox Part Number: _____

(Please provide an Anaheim Automation Gearbox Part Number if Available)

Please provide any additional information below:

